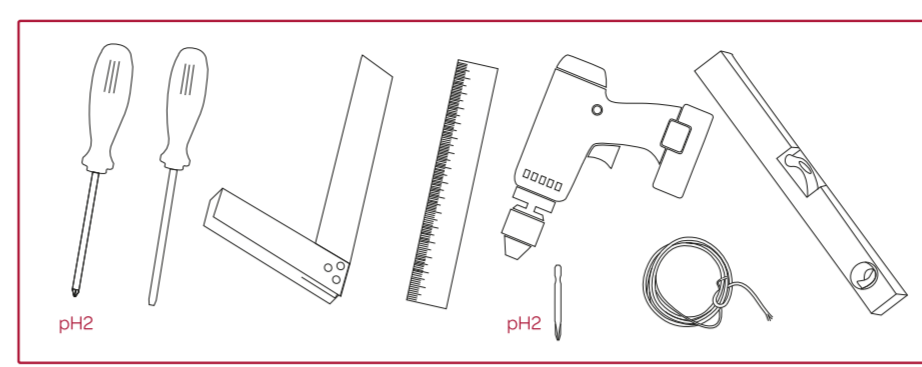


F

- 3 (12 x)
- 4 (4 x)
- 5 (4 x)
- 6 (4 x)
- 7 (4 x)
- 8 (4 x)



- 1 (1 x)
 - 2 (2 x)
 - 3 (17 x)
 - 4 (4 x)
 - 5 (1 x)
 - 6 (4 x)
 - 7 (4 x)
 - 8 (4 x)
- 52475262

